

The double screwing clip HALA Clip TO 264-2 allows for a strong springy fixing of a couple of semiconductors in TO 264 or comparable packages and exerts a reliable pressure onto heatsinks. It can easily be fastened by use of 2 M4 screws.



Release 11 / 2018

PROPERTIES

- Fixing by 2 M4 screws
- Sufficient pressure even at minimum package height
- Stainless steel 1.4310

OPERATING RANGE

- Force range: ca. 100...130 N
- Pressure range: ca. 20...26 N/cm² (30...38 PSI). Surface area TO 264 ca. 5 cm²

APPLICATION EXAMPLES

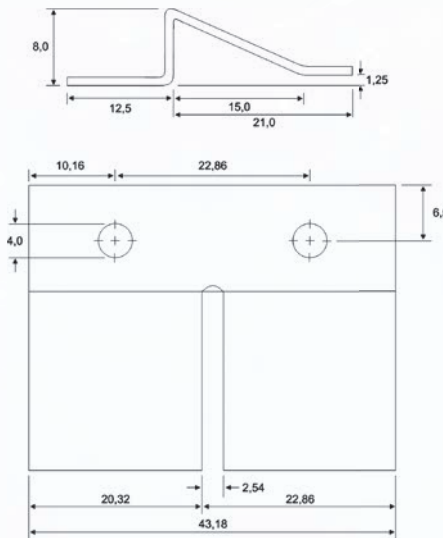
Fixing of semiconductors in TO 264 or comparable packages onto heatsinks:

- MOSFETs
- IGBTs
- Diodes

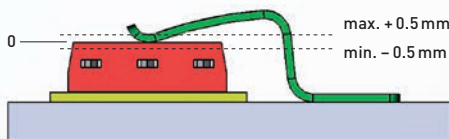
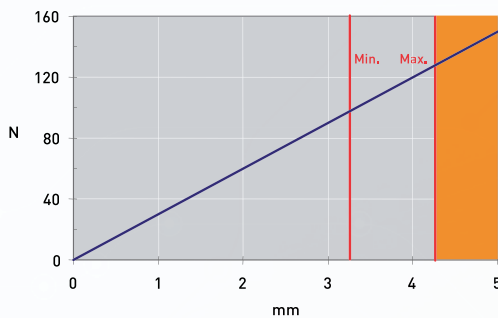
For use in Switch mode power supplies / UPS units / Motor control units / Automotive applications



Dimensions



Force vs. Deflection



All technical data and information are without warranty and believed to be reliable and accurate, corresponding to the latest state of the art. Since the products are not provided to conform with mutually agreed specifications and their use and processing are unknown we cannot guarantee results, freedom from patent infringement, or their suitability for any application. Product testing by the applicant is recommended. We reserve the right of changes.